



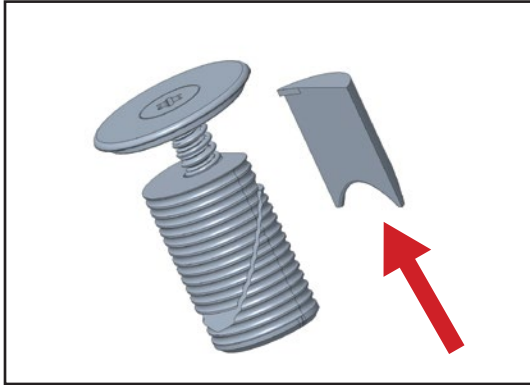
Safety Notice



Affected Models: T1500 Disc Brake, SLC 2.0 Disc Brake, G2:Gravel Purchased between June 2021-October 2021



It has come to our attention that some of our recent frames were shipped with headsets that were missing a key component: The circle-segment spacer.

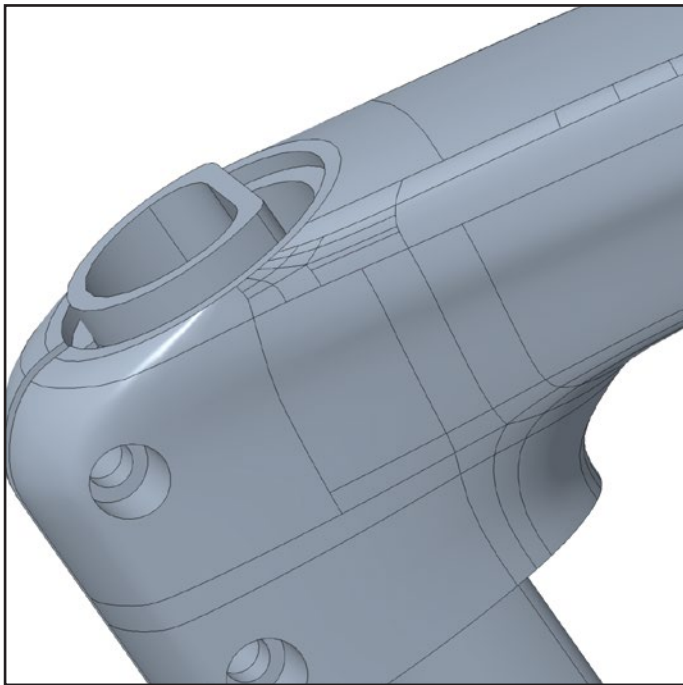


Without this piece inserted, a minority of stems (usually superlight weight aluminium ones) will deform when tightened, leading to them not being able to fully grip the fork steerer tube. This potentially could lead to handlebars coming loose and a loss of control of the bicycle. While the risk of injury is small. Any risk is too much risk.

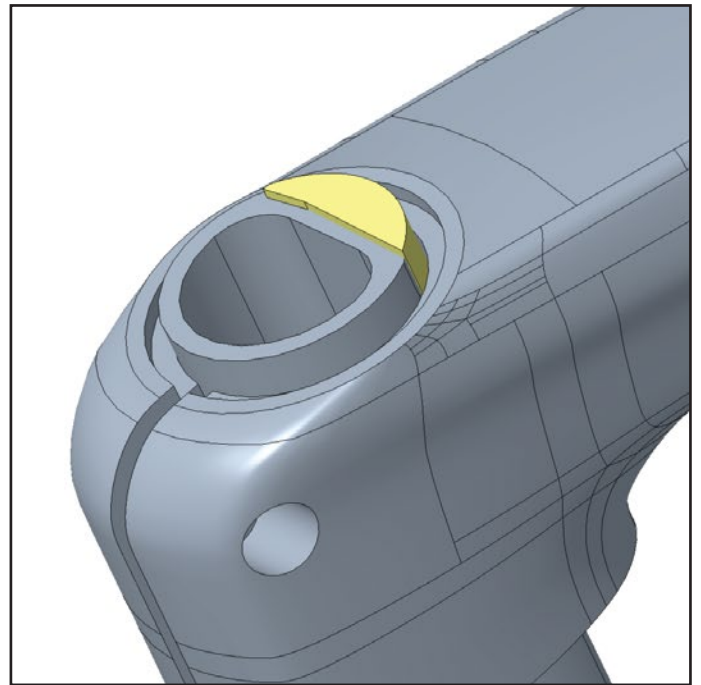
circle-segment spacer (on the right)

Installing this piece also allows the expander plug to better perform it's task during bike installation. We are in the process of contacting all affected customers to provide this part. Any customer who has received a disc-brake frame without a circle-segment spacer included should contact us at service@winspace.cc

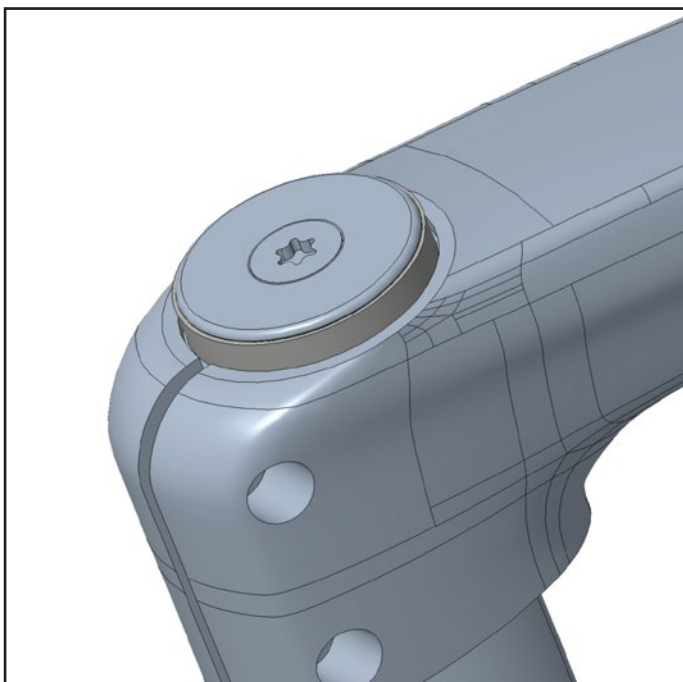
Installation Instructions



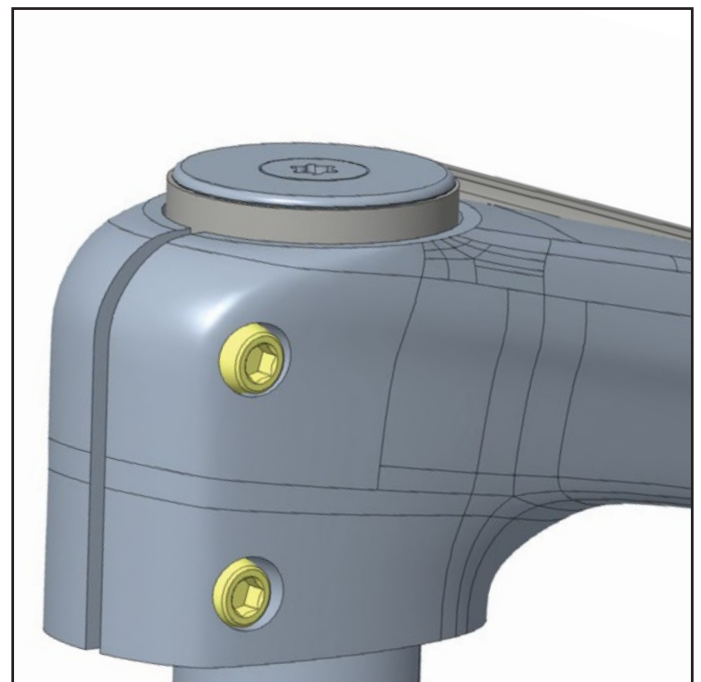
1. Cut the steerer tube so it extends past the top of the stem by 1-3mm and install all cables.



2. Insert the circle-segment spacer. Its small lip will stop it falling down.



3. Install a 5mm spacer above the stem. Install the expander plug and tighten to pre-load the headset bearings (as with an ordinary expander plug.)



4. Tighten the stem clamp bolts to 7Nm or the limit on the stem (whichever is lower.)

If you have any questions, please contact us at service@winspace.cc